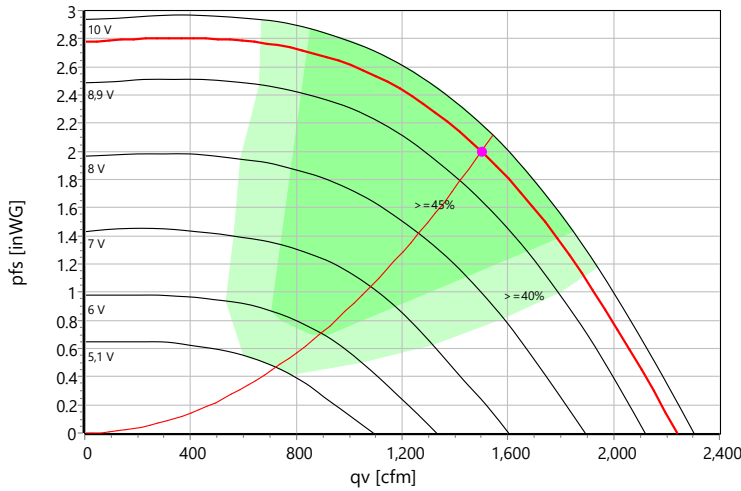




Type: **GKHM 315-CIB.100.5FA IE**
Module
Part no.: N88-31808



Curve:



p: 1.2 kg/m³; Data @ 115 V

Operating Point:

q _v	1500	cfm
p _{fs}	2	inWG
p _{fd}	0.1	inWG
η _{ed,fs}	51	%
η _{ed,tot}	53	%
P _{ed}	0.703	kW
I	7.4	A
n	2167	r/min
L _{W A A,OUT}	80	dB(A)
U _c	9.3	V
v	20.6	ft/s
SFP	994	Ws/m ³
t _{R,OP}	44	°C

Fan Energy Index:

AMCA 208-18	
FEI	1.52

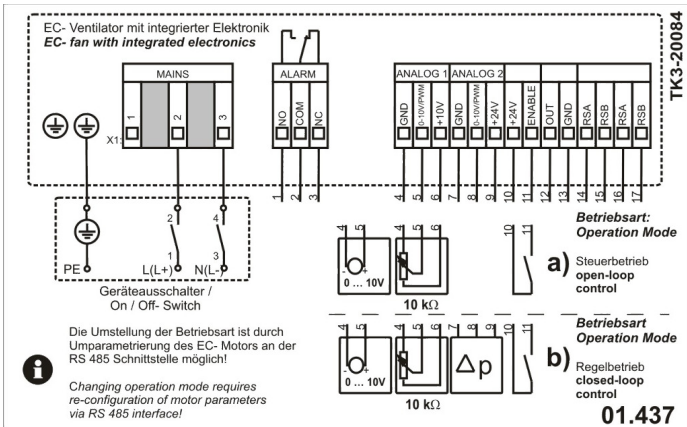
Nominal Data:

U [V]	f [Hz]	Data @ [V]	P _{ed} [kW]	I _N [A]	n _N [r/min]	t _R [°C]	k ₁₀ [m ² /h]	Eff.-Rating	IP	m [kg]
1~100-130	50/60	115	0.8	8	2230	-25 .. +40	75	IE4	IP 54	18.5

Sound Data:

Frequency	Σ	63Hz	125Hz	250Hz	500Hz	1kHz	2kHz	4kHz	8kHz	Distances	1 m	4 m
L _w (A,in) [dB(A)]	73	43	50	65	68	66	65	64	58	L _p (A,in) [dB(A)]	66	55
L _w (A,out) [dB(A)]	80	45	52	71	74	75	73	70	59	L _p (A,out) [dB(A)]	73	62

Wiring Diagram:



drawing:

